

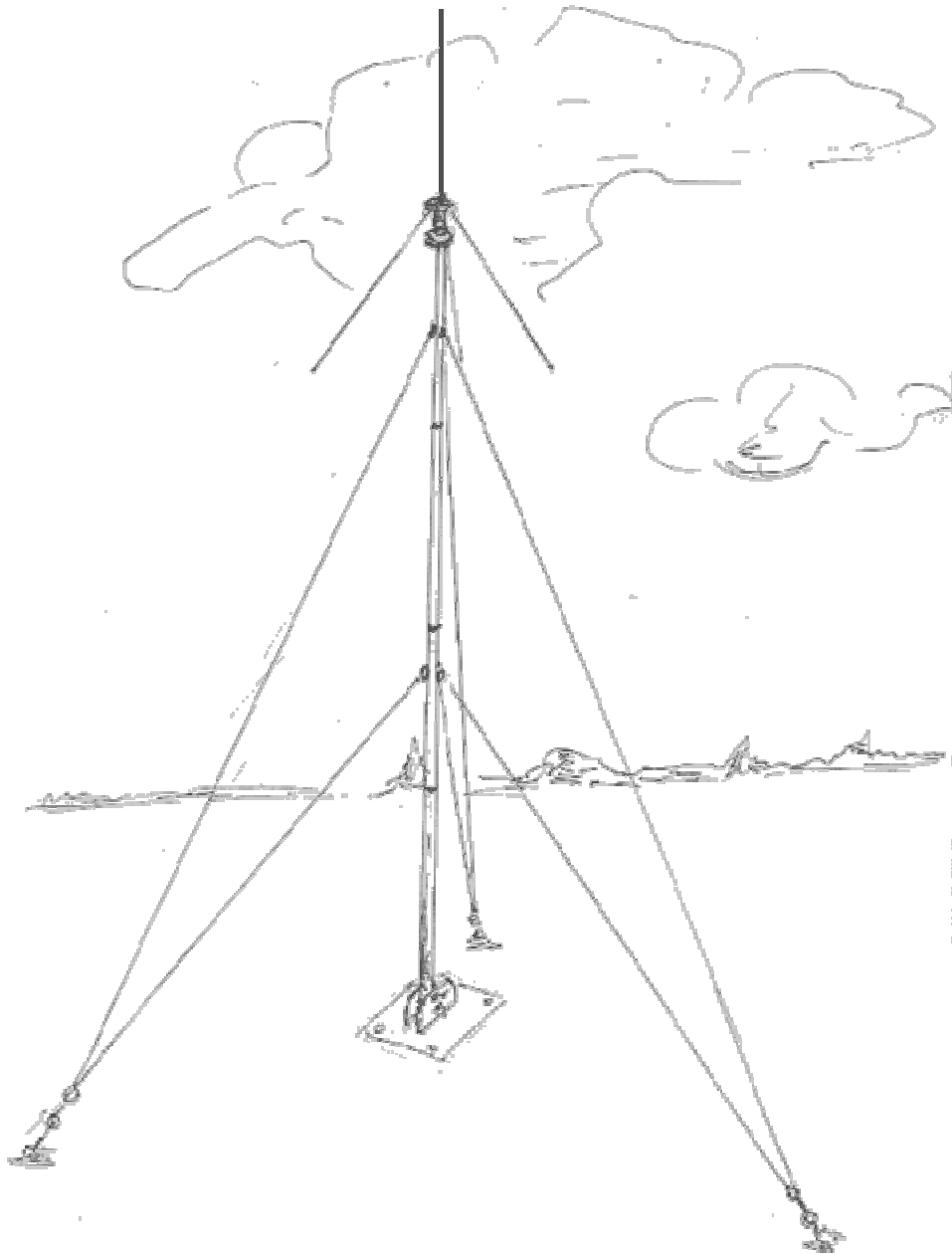
## ANTENNA TOWER

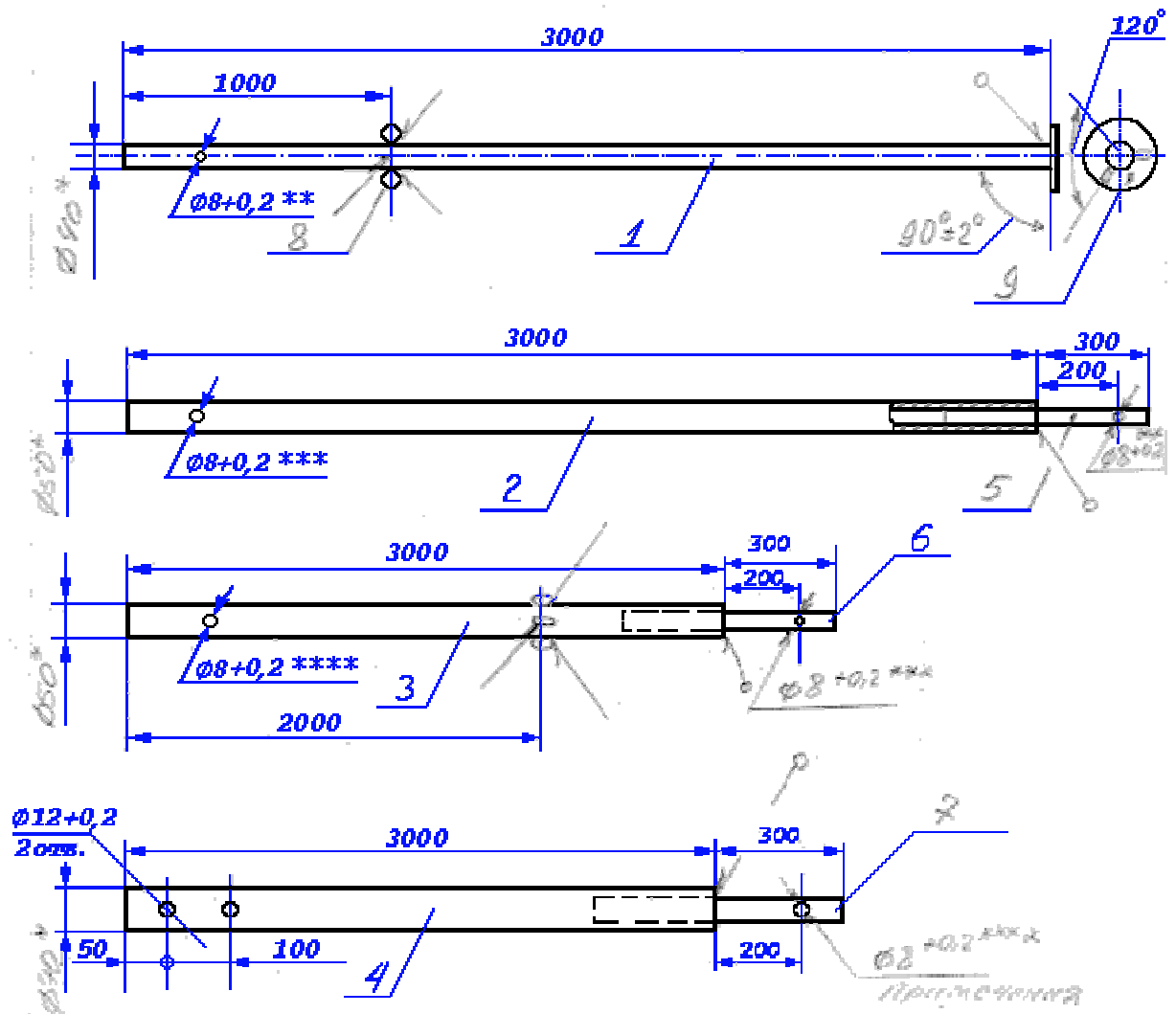
Credit Line: <http://www.allo.bel.ru/>

As usual, such towers are used for erecting VHF antennas of a service radio station, and Russia commercial firms widely make such Antenna Towers.

I think, hams also can use some ideas from construction of the tower for their operation.

73! Igor Grigorov, RK3ZK





1. Upper Part. Tube 40-mm OD
2. Middle Part. Tube 50-mm OD
3. Middle Part-2. Tube 60-mm OD
4. Bottom Part. Tube 70-mm OD
5. Tube, OD = ID of Item 1
6. Tube, OD = ID of Item 2
7. Tube, OD = ID of Item 3
8. Nut, M24, 6 Pieces
9. Flange of Antenna

\* Sizes for Notes

\*\* Drill Hole 8-mm together on Item 1 and Item 2

\*\*\* Drill Hole 8-mm together on Item 2 and Item 3

\*\*\*\* Drill Hole 8-mm together on Item 3 and Item 4

Russian VHF Radio Station "Mayak" (1992 issue year)



Russian VHF Radio Station "Mayak" (2002 issue year)

