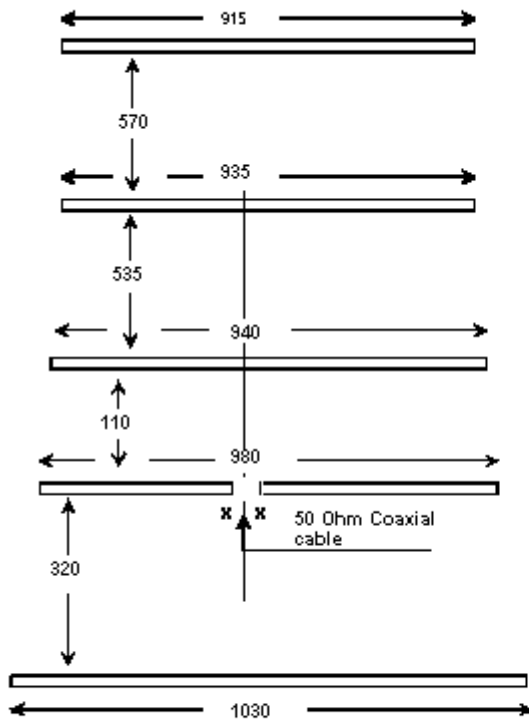


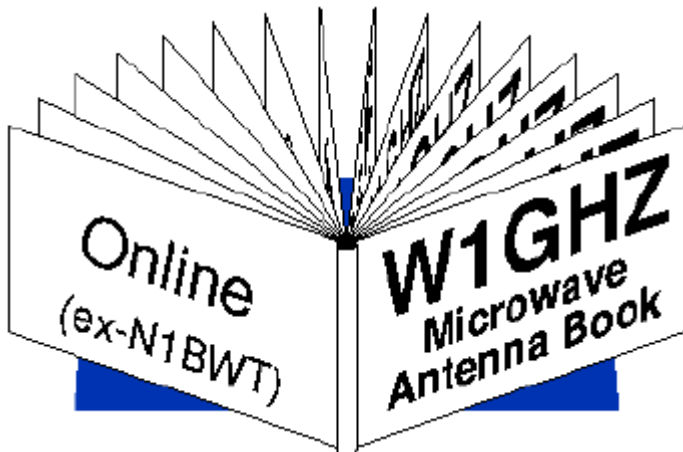
FIVE ELEMENTS VHF ANTENNA RN1NZ FOR 145 MHz



Gain: 8.5 dBi
 SWR: Less then 1.5:1 at 144...146 MHz
 Front/Back Ratio: more then 18 dB
 Input Impedance: 50 Ohm
 All elements have diameter of 4-mm (or #6 AWG)
 Traverse has diameter of 15-mm and lenfth of 1600-r
 Antenna elements are electricly insulated from the traverse



Visit and take for FREE the great
Microwave Antenna Book
 By Paul Wade W1GHZ (ex N1BWT)



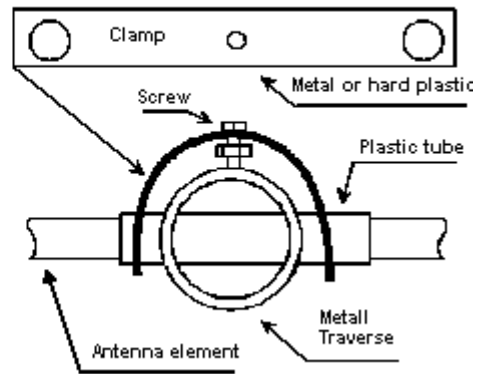
<http://www.qsl.net/n1bwt/contents.htm>

Table of Contents:

Part-I: Practical Antennas (8 Chapters!)

<http://www.antentop.bel.ru/>

Antenna Construction



RN1NZ
rn1nz@onego.ru



Credit Line: RN1NZ @ Radio #4, 2002, p.65

For more info see:
www.radio.ru/



Part-II: Antenna Measurement (2 Chapters!)

Part-III: Computer Analysis of Antennas (2 Chapters!)