

Russian Receiver R-311

R311 – “Portable” tube military HF receiver intended for range 1.0 – 15.0 MHz. The receiver has 5 sub bands. A retuned filter is used in IF tract. R311 can be fed by to 2 x 1.2-V heavy- duty NiCad accumulators (through internal vibropack). Mine R- 311 was fed by main through a home made external PSU. R- 311 receives AM, CW and SSB.

R- 311s were produced from the beginning of 50 (from 1952??) till end of 1970. However, I have seen R- 311 with label “1982.” Receivers made from beginning of 70s have tight vernier. It can be fixed by loosening screws in the vernier.

R- 311 were used at a radio- intelligence division. Then it was widely used in USSR Army- in tank, in ship, like army headquarter monitoring receiver for receiving routine radiogram, weather forecast, like military training receiver, etc. The receiver works well both with short and long antennas. R- 311 practically has no rustle without an antenna.

Usual malfunction of the receiver is a bad contact in the band’s switch. High level of noise, excitation on one or several bands, losses of sensitivity on one or several bands- all of this it is bad contact(s). Treatment- cleaning the contacts by rubber or cleaning liquid (like WD- 40). However, as usual, for R-311 produced from beginning of 70s it gives short term effect for 6-12 month, then you need clean the contacts again.

(See schematic diagram on page 84)

Credit Line: www.cqham.ru

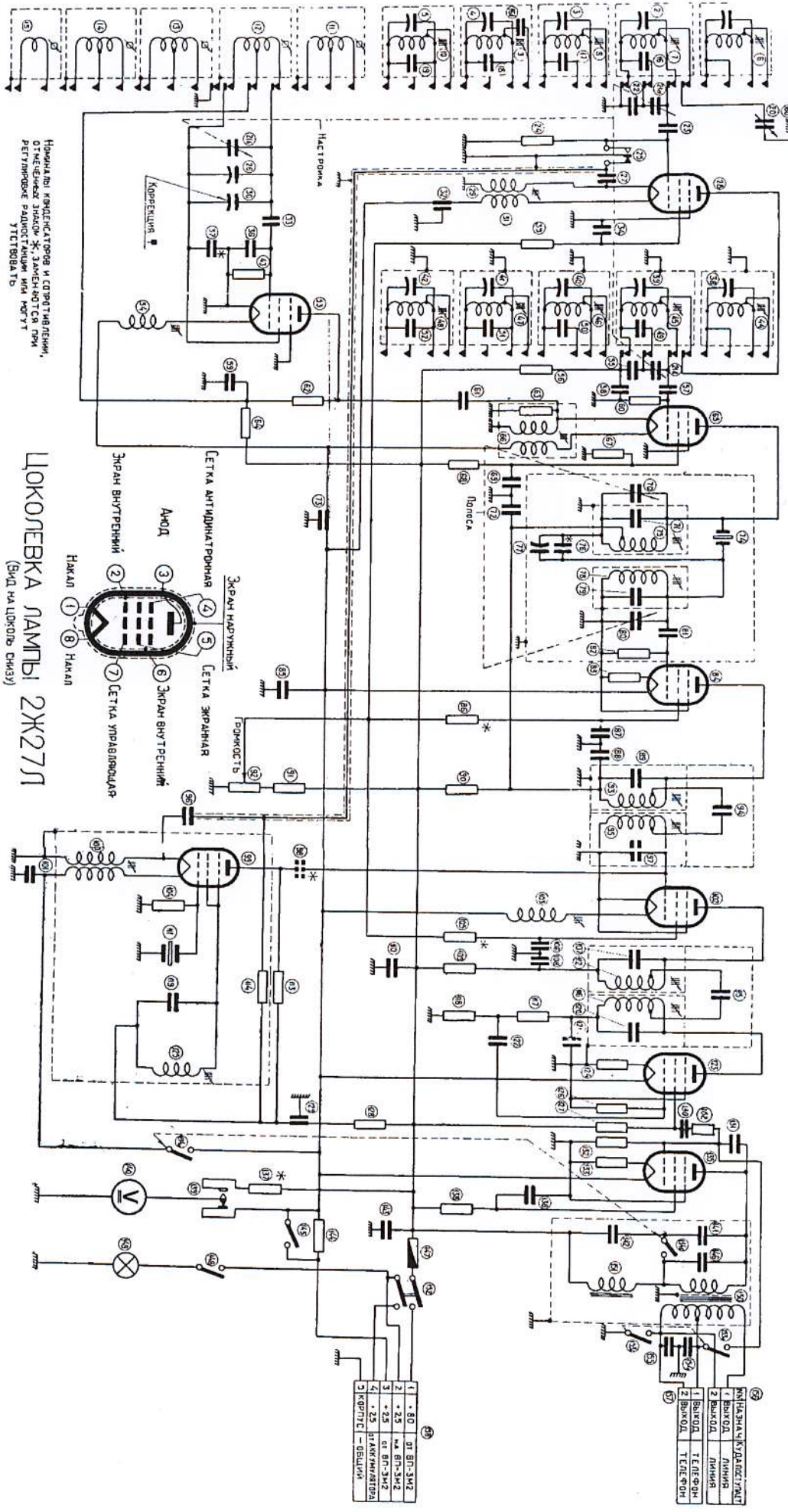
The tubes in the R-311 are very reliable they go out of operation very seldom. The most reliable R- 311s was produced between 1958- 1965.



R- 311 at my home in Belgorod, please, notice, accumulator’s box was cut from the receiver.

Mine R- 311 was produced in 1958, this one work at my shack from 1980- till 2004, sometimes 24/7. I never change its tubes made in 1958.





ЦОКОЛЕВКА ЛАМПЫ 2Ж27П1
 (Вид на цоколь снизу)

Номиналы конденсаторов и сопротивлений, отмеченных знаком Ж, записаны в гмах. Резисторные радиостанции или моты утильвалять