

Narrow DEWD Dipole for the 80- meters with a Stub Matching

The publications devoted to the memory UR0GT.

By: Nikolay Kudryavchenko, UR0GT

It is just a variant of a DEWD Dipole for the 80- meters with Stub Matching. The antenna has enough good parameters – Pass Band and Efficiency.

The MMANA model of the antenna may be loaded: [http:// www.antentop.org/012/n_dewd_012.htm](http://www.antentop.org/012/n_dewd_012.htm), file Broadband 80m.6

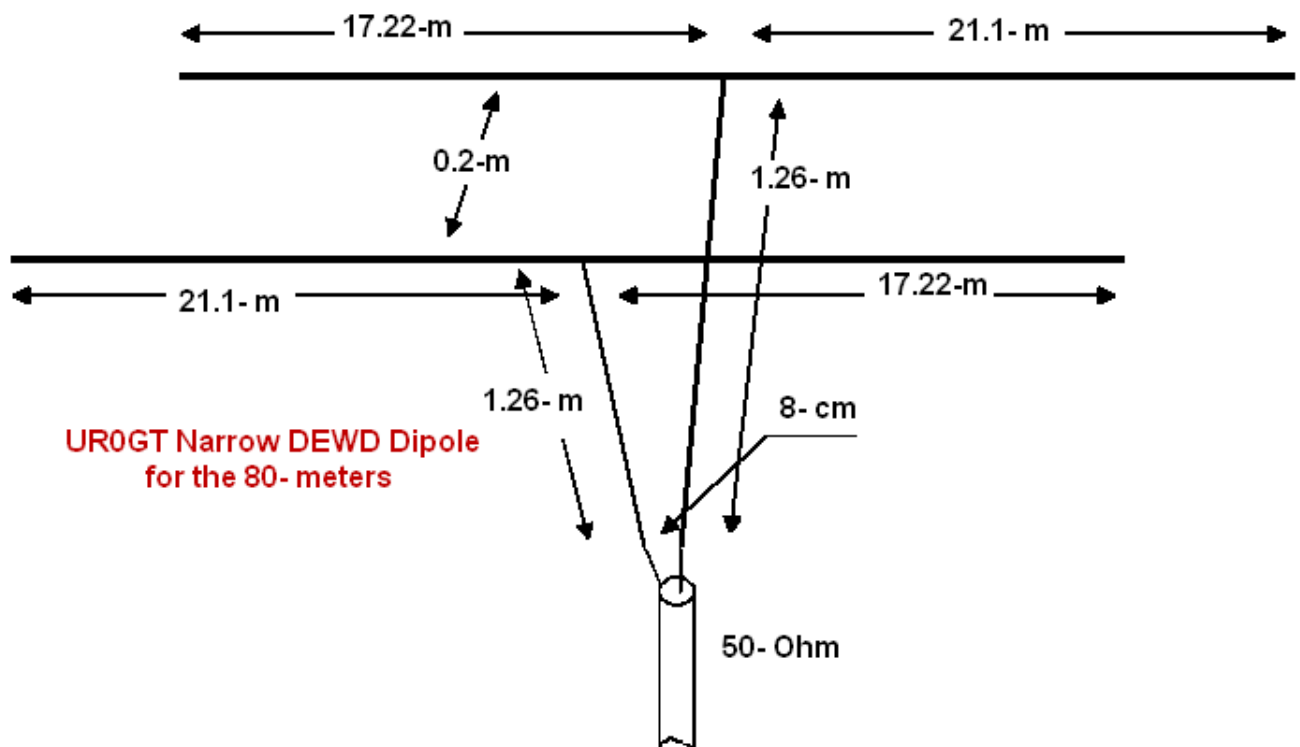


Figure 1 Design of the Narrow DEWD Dipole for the 80- meters with a Stub Matching

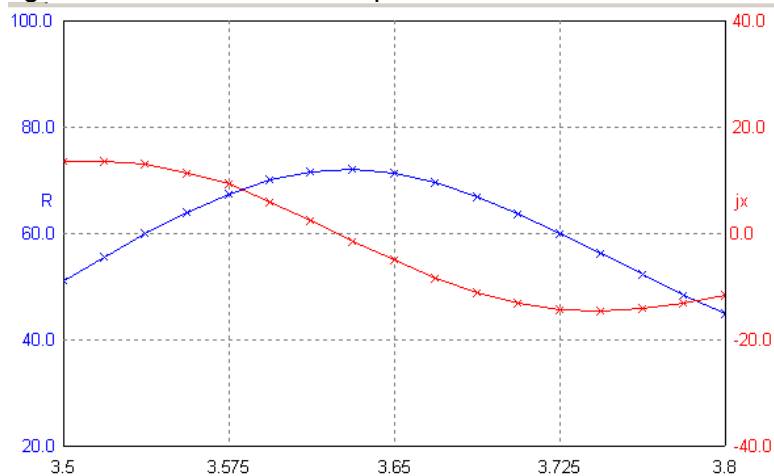


Figure 2 Z of the Narrow DEWD Dipole for the 80- meters with a Stub Matching (30- m above the real ground)

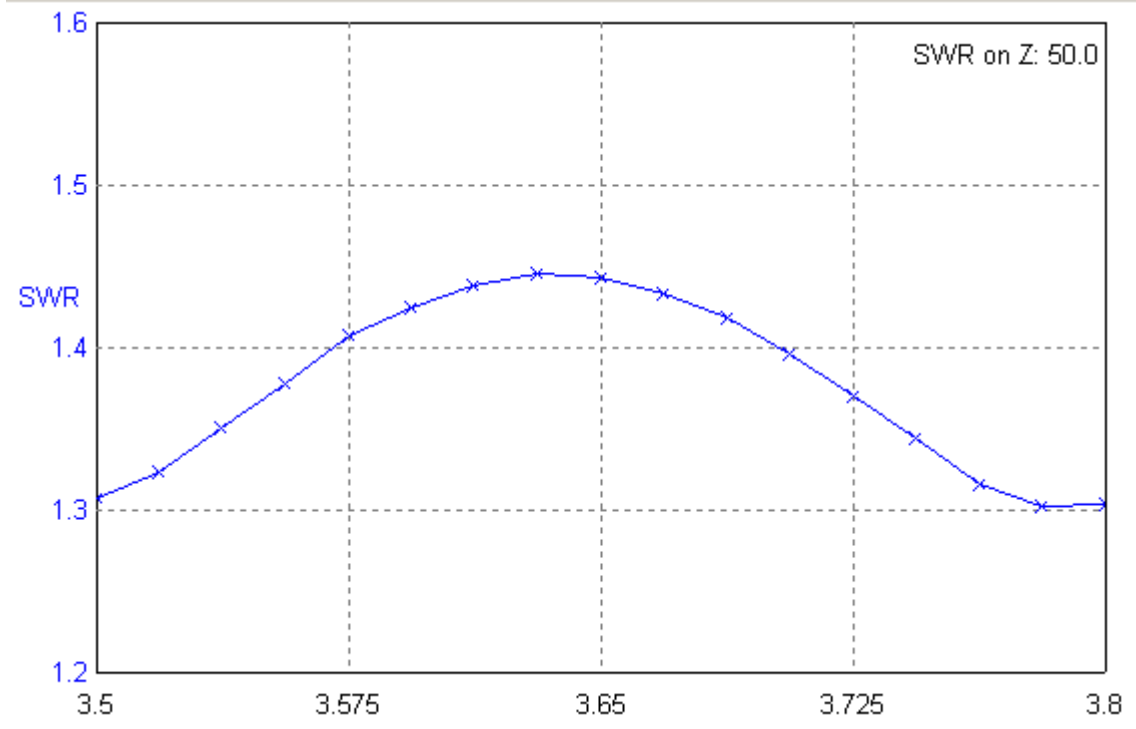


Figure 3 SWR of the Narrow DEWD Dipole for the 80- meters with a Stub Matching (30- m above the real ground)

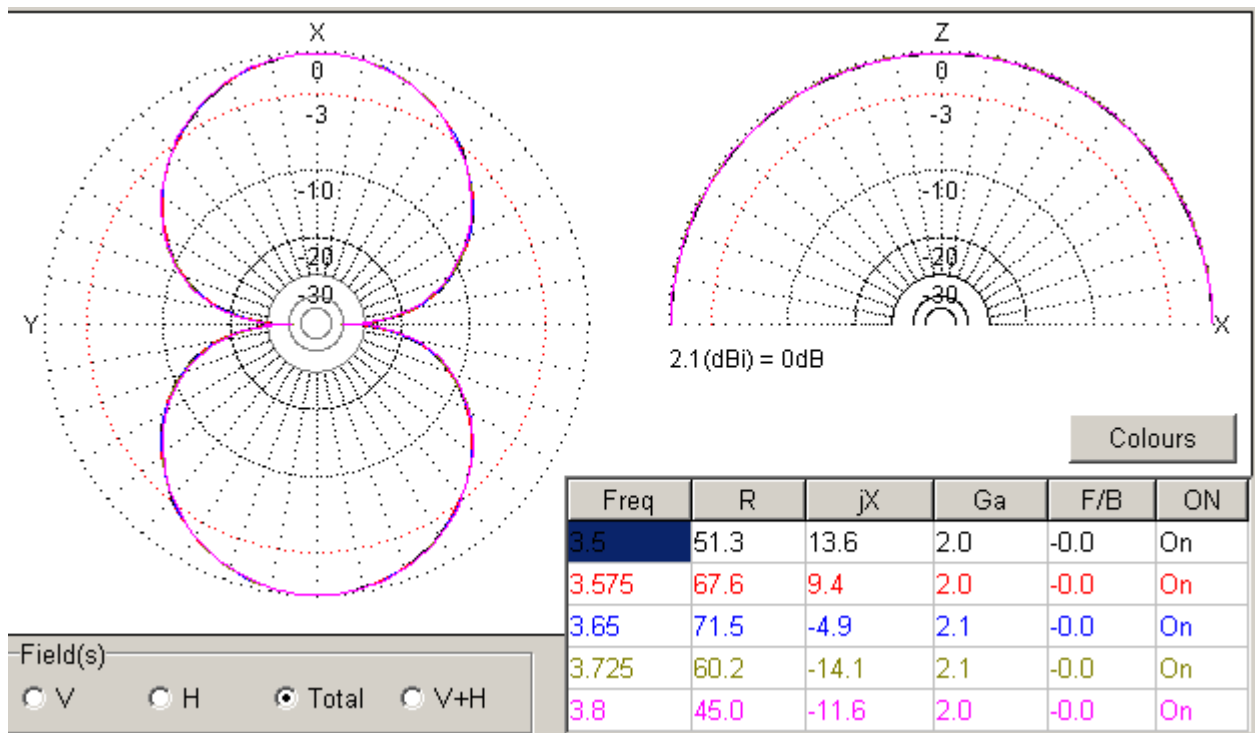


Figure 4 DD of the Narrow DEWD Dipole for the 80- meters with a Stub Matching (30- m above the real ground)

73 Nick

Credit Line: Forum from: www.cqham.ru