

Dipole Antenna for the 80- meters with Rectangular UR0GT- Match

The publications devoted to memory UR0GT.

By: Nikolay Kudryavchenko, UR0GT

It is an alternative way (compare to DEWD) to design a broadband antenna- use so called "UR0GT- Match." The match was offered by UR0GT at 2004 at HZ- Forum. The match was used to feed VHF- Antennas, but it works at HF too.

The match may be used at all antenna types – dipoles, verticals, YAGI- either symmetrical or asymmetrical.

The MMANA model of the Dipole Antenna for the 80- meters with rectangular UR0GT- Match may be loaded:
[http:// www.antentop.org/012/r ur0gt 012.htm](http://www.antentop.org/012/r_ur0gt_012.htm)

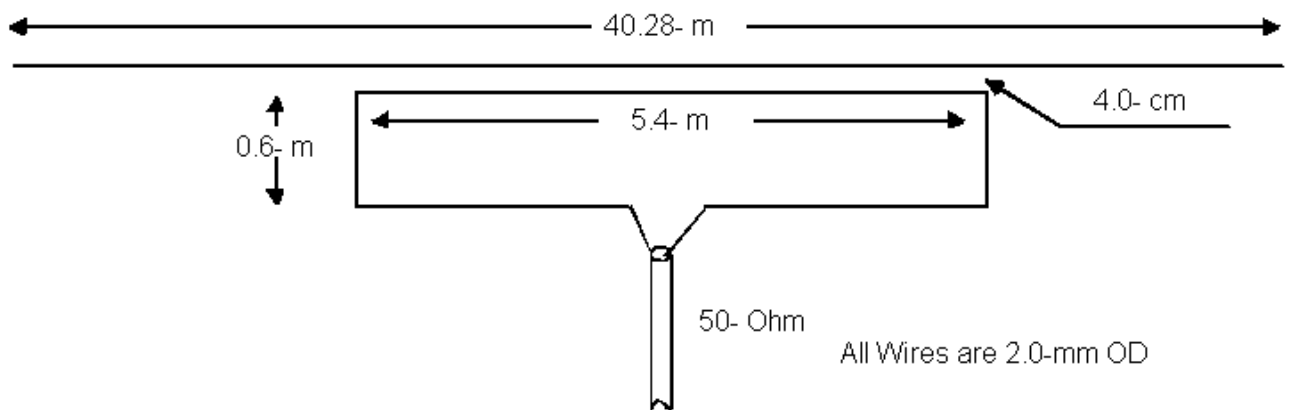


Figure 1 Design of the Dipole Antenna for the 80- meters with rectangular UR0GT- Match

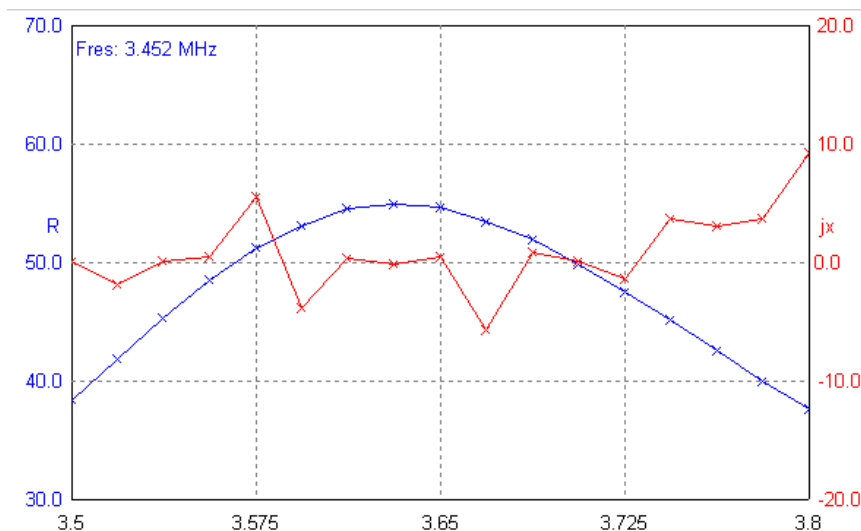


Figure 2 Z of the Dipole Antenna for the 80- meters with rectangular UR0GT- Match (30- m above the real ground)

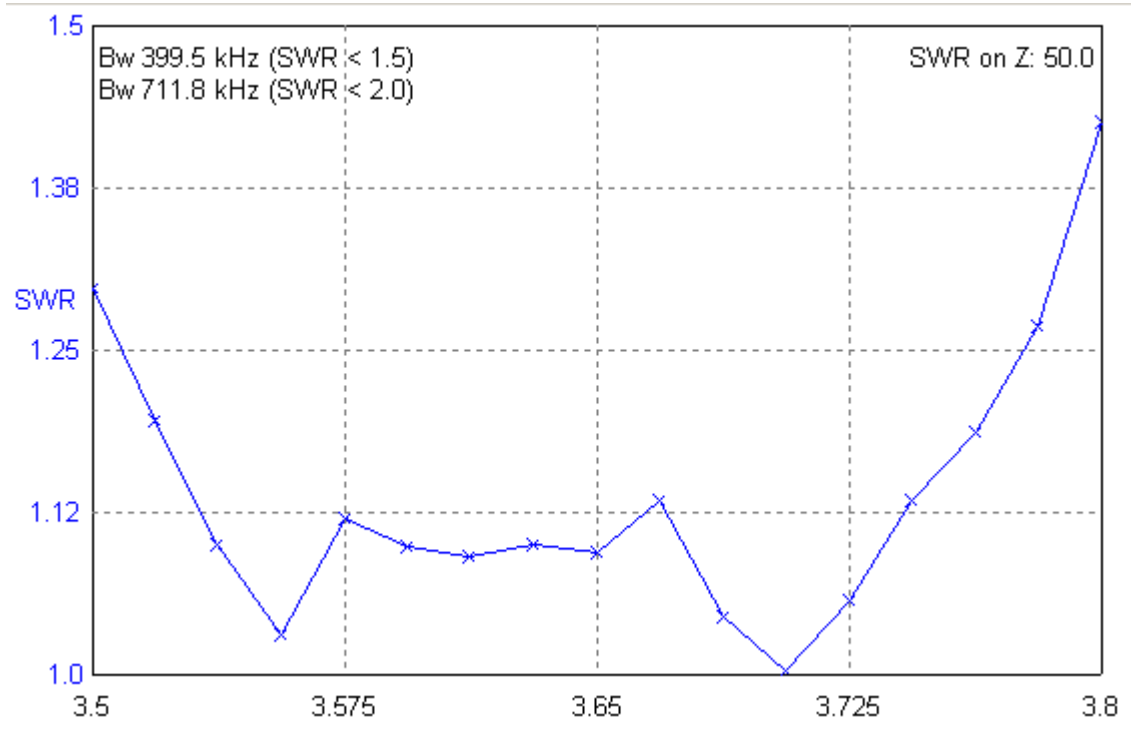


Figure 3 SWR of the Dipole Antenna for the 80- meters with rectangular UR0GT- Match (30- m above the real ground)

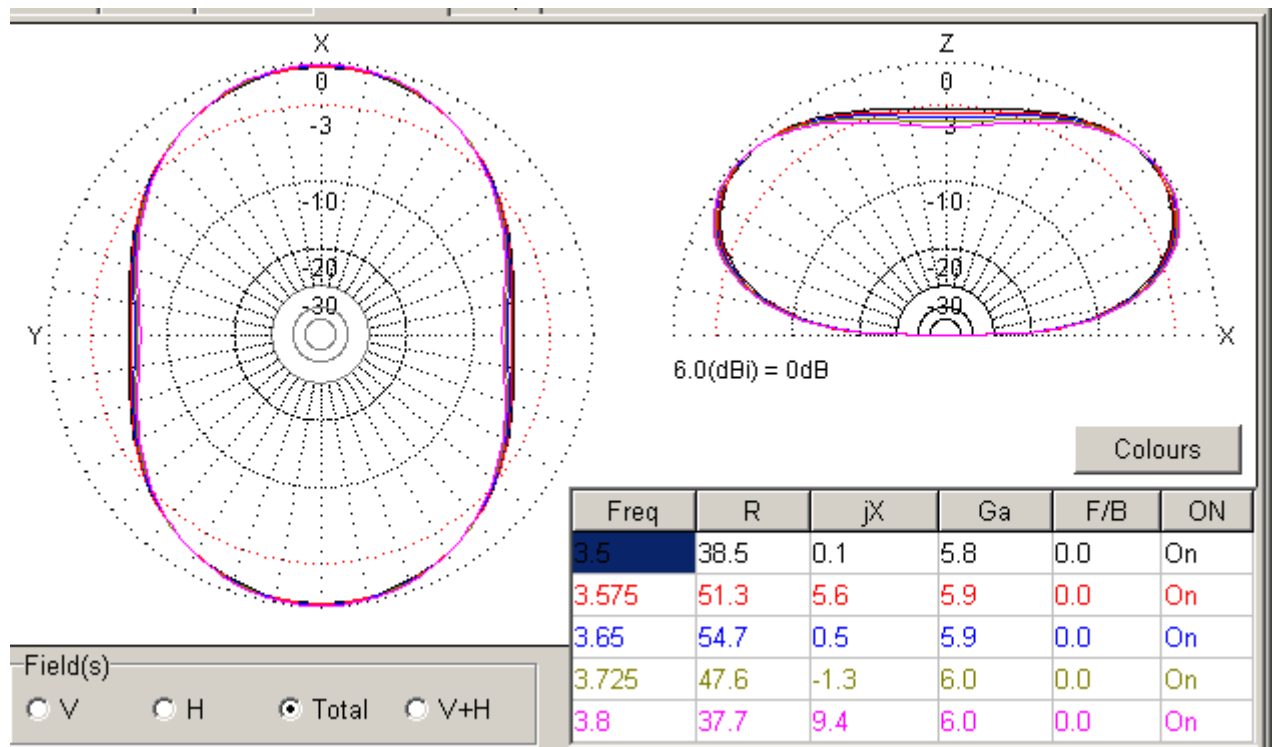


Figure 4 DD of the Dipole Antenna for the 80- meters with rectangular UR0GT- Match (30- m above the real ground)

73 Nick

Credit Line: Forum from:
www.cqham.ru