

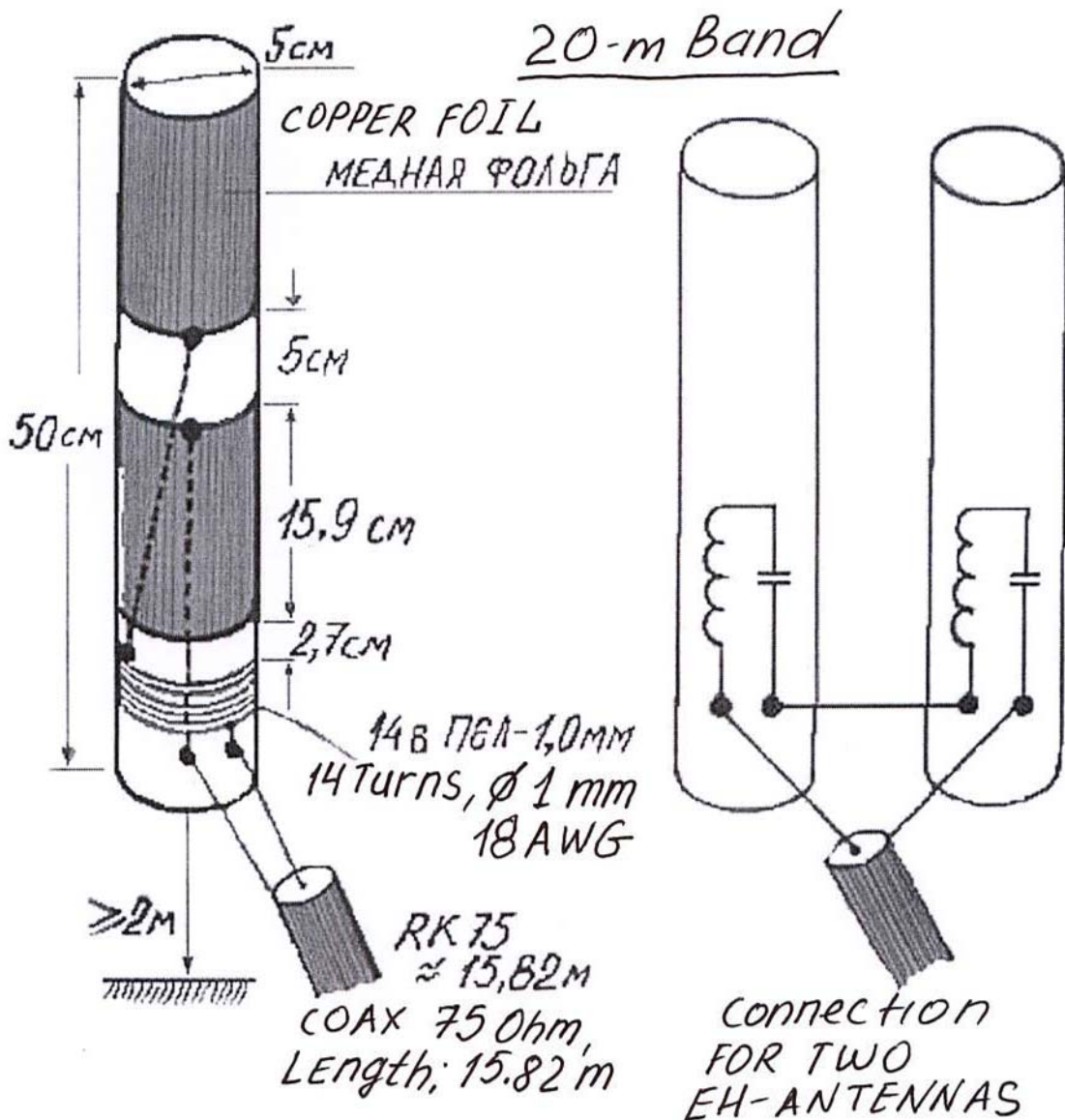
Cylindrical EH- Antenna for the 20- meter Band

Vladimir Semenov (RU4SJ)

Credit Line: <http://hamradio.mari-el.ru/technics/RU4SJ%20EH/index.htm>

The antenna is one band antenna. It works on TX when it is tuned to serial resonance. The antenna works only to RX when this one is tuned to bridge resonance.

The antenna has efficiency like a lambda/4 vertical antenna. As I believe in the antenna the outer braid of the coaxial cable is radiated. It is need a part of the coaxial cable near antenna to place in vertical position.



www.cqham.ru

It is not wisely to use RF- Choke on a ferrite ring because the heating the ring when the antenna is transmitting, so, parameters of the antenna would be changed also as well. RF- Choke should be made like several (3-7) turns in 10- 20 cm in diameter coiled by the feeding coaxial cable. The RF Choke is place on the length near 5- meters from the antenna. Antenna is tuned in to resonance:

Roughly: By choosing length of the coaxial cable from Antenna to the RF- Choke

Fine: By changing parameters of the RF- Choke (quantity of turns, diameter of the Choke).

You may try a phase EH- Antenna. With the antenna placed near the window and with 100-Wtts I made QSOs to distance up to 3000 km.

73! RU4SJ



Communication Point. USSR (end of 1970s- beginning of 1980s)
Photo taken from the Internet