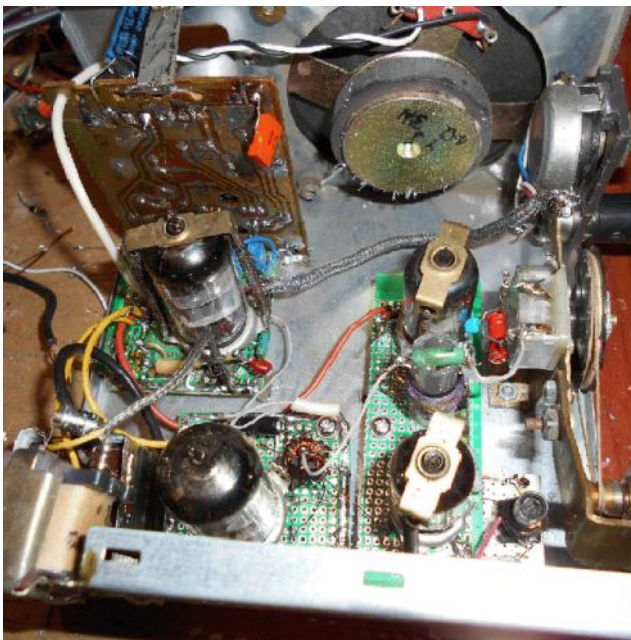


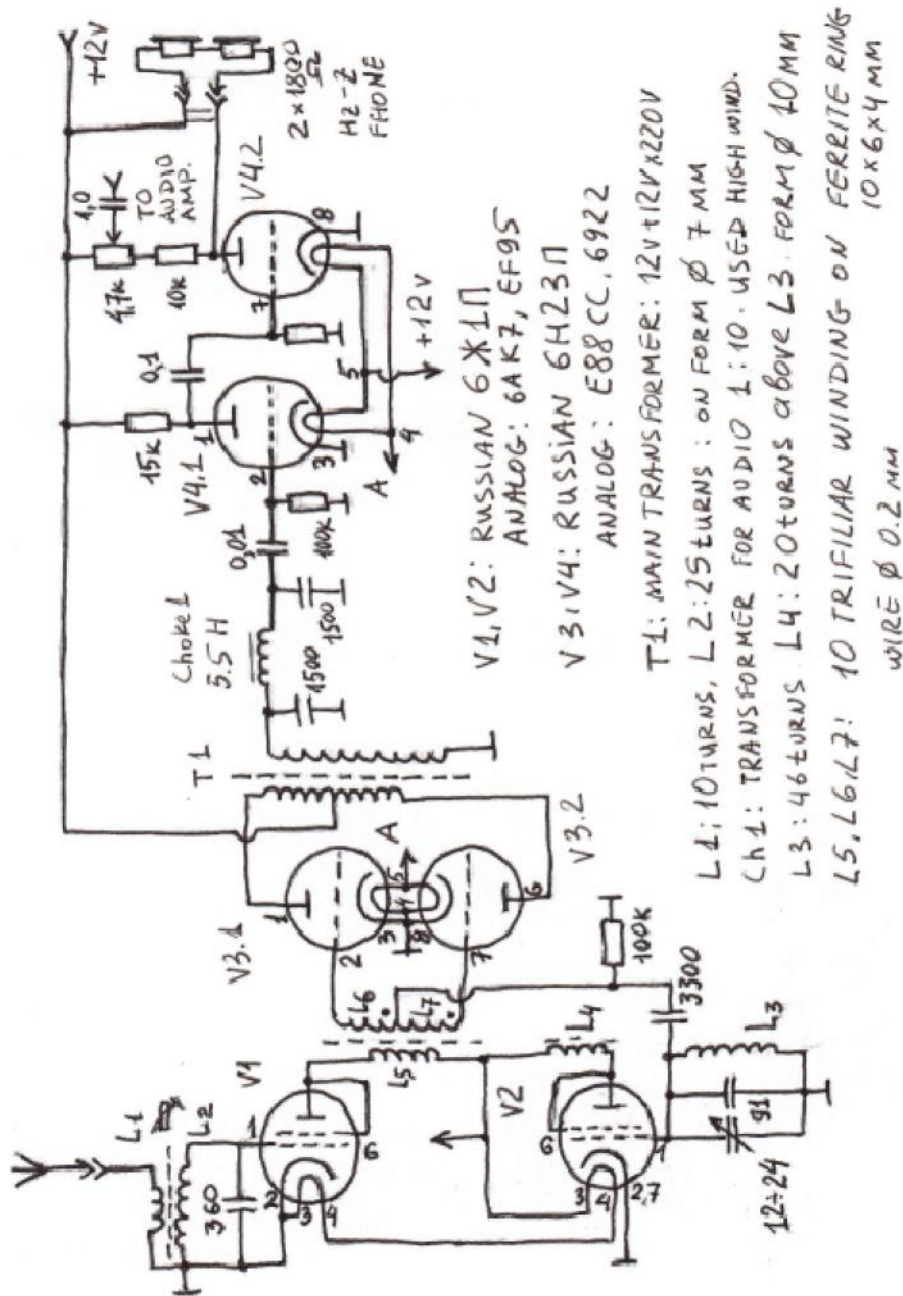
# Simple Four Tube DC Receiver for the 80- meter Band

By: Aleksandr Viktor  
Credit Line: Forum at cqham.ru

The receiver was made on the base of my experimenters with simple DC receiver described at previous article (Simple Two Tube Direct Conversation Receiver) and on the base of the receiver Kazuhiro Sunamura . There were used very old tubes however the receiver worked well with those ones. Receiver fed by 12- V accumulator battery. No one semiconductor is used in the receiver. Receiver provides loud reception on high ohmic phones. However it is possible use an audio amplifier with external speaker. I install in the receiver an old Audio Amplifier on one Audio IC from transistor TV.

The receiver is very simple to adjust. At first tune frequencies range of the VFO on V2. Then tune input circuit on maxima reception. That is it. Simple 20 meter length antenna was used with the receiver. The receiver was used outside of city. Noise dramatically going down (compare to city) and reception was much better there.





Schematic of the Simple Four Tube DC Receiver for the 80- meter Band



[www.cqham.ru](http://www.cqham.ru)