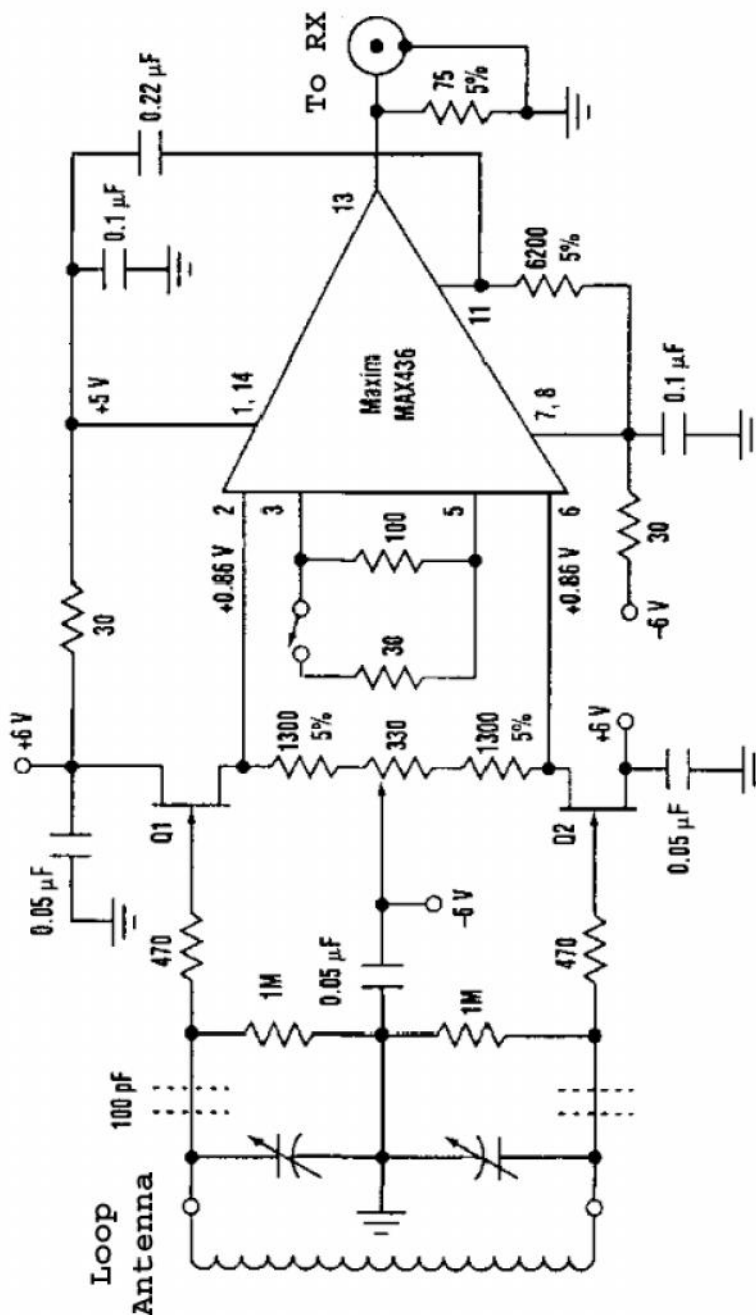


# Active Loop Receiving Antenna

Active loop antenna can provide good reception in harsh environment. The antenna consists of from a loop connected to RF amplifier. Loop allows provide selection to direction and RF amplifier boosts the receiving signal. Dimension of the loop depends on receiving range.

Variable capacitor to tune the loop in the resonance may be used in 10- 350- pF. Switch allows choose the gain- 8- dB or 20- dB. Active loop antenna intended for 75- Ohm RX input. The output may be connected to the receiver with help of 75- Ohm coaxial cable.



**Credit Line:**

<https://www.grz.ru/schemes/detail/8106.html>