

# RX1AG ZEPP Fed HF Antenna

By: Valentin Ivanov, RX1AG

The simple ZEPP Fed Antenna (shown on the **Figure 1**) could tune on all HF bands from 3.5 to 28- MHz. I matched the antenna with help of 4Z5KY ATU, shown on the **Figure 2**. SWR on the all amateur bands was 1.0: 1.0.

Inductor of the ATU was wound by copper wire in diameter of 0.8- mm (21 AWG). It contains 47 turns, tap from 7, 20 and 33 turn from the cold end.

Case of the ATU is not connected to ground only a counterpoise in 4- meter length is connected to the ATU. Transceiver may be connected to the ATU by coaxial cable of any length. RF Chokes should be installed at both sides of the coaxial cable.

73! RX1AG

Credit Line: Forum CQHAM

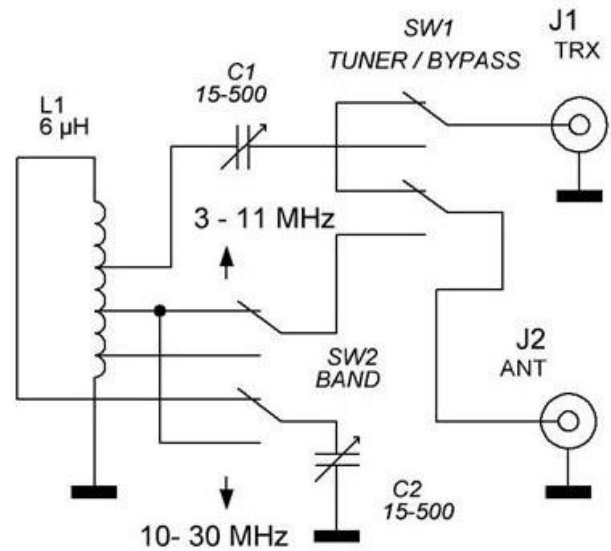


Figure 2 4Z5KY ATU

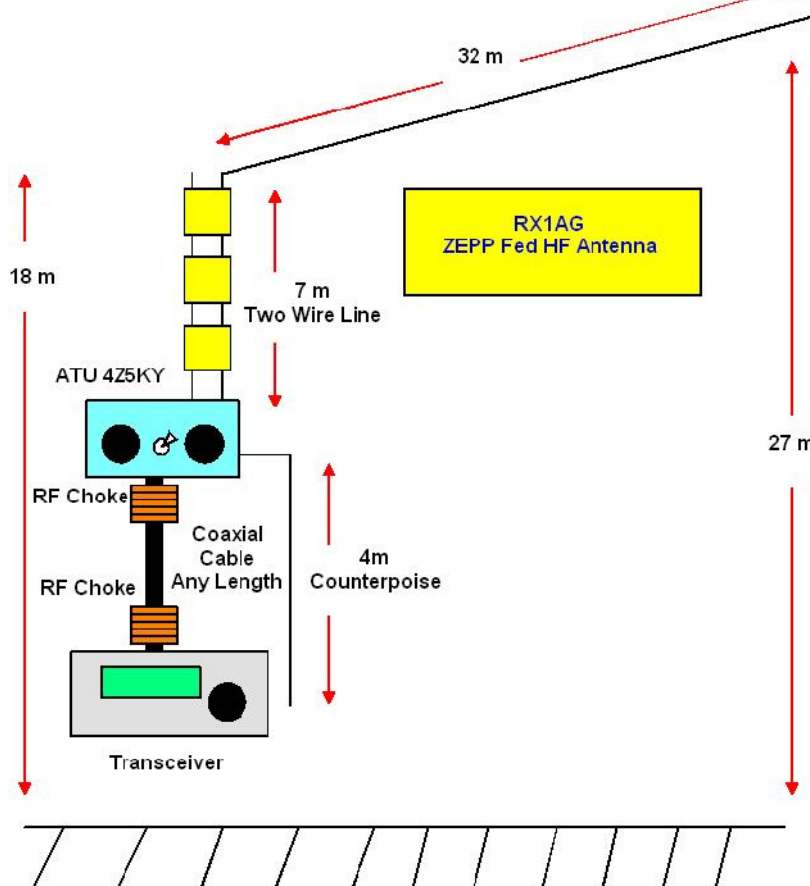


Figure 1 RX1AG ZEPP Fed HF Antenna