

# RW4HFN Simple 145/430- MHz Antenna

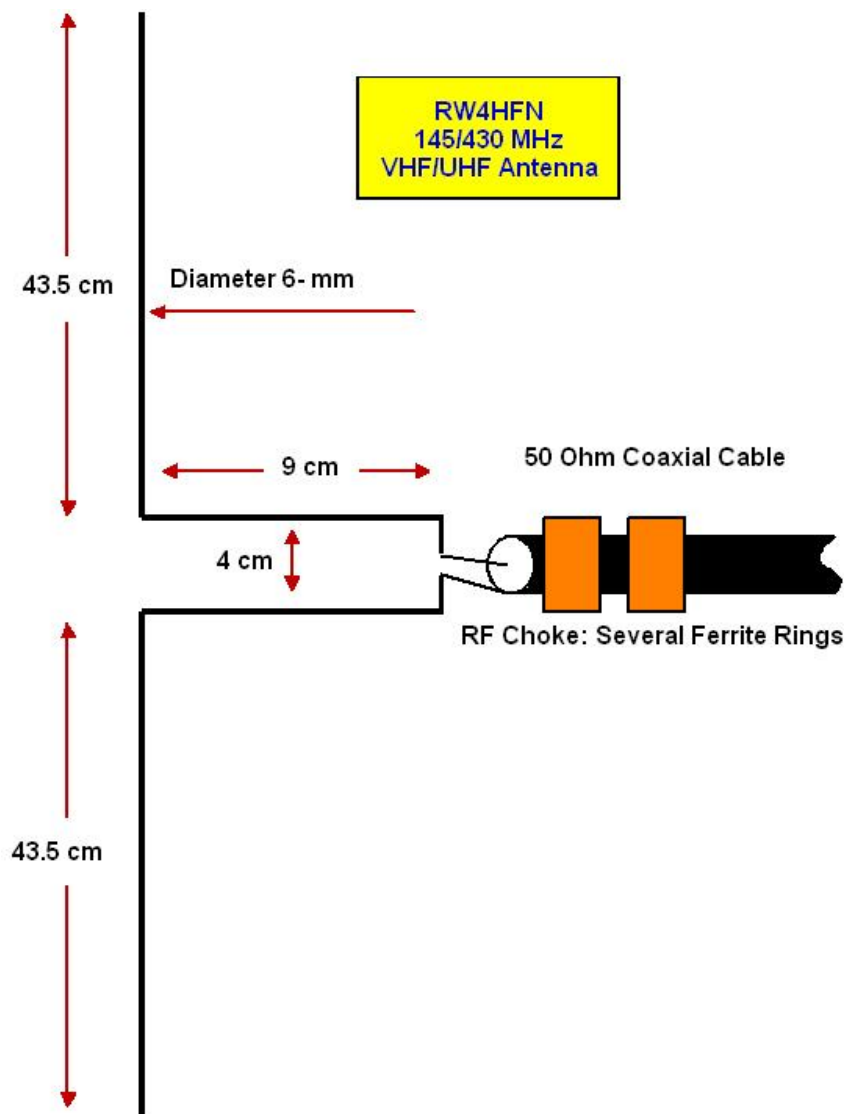
By: Igor Vakhreev, RW4HFN

Design simple antenna for 145/430- MHz shown on the **Figure 1**. The antenna made from aluminum wire in 6- mm diameter. Antenna has enough wide passband so it is not critical to the sizes. Antenna may be placed in vertical or in horizontal position. Good idea is to install several ferrite rings near the feeding terminals.

**Figure 2** shows Z of the antenna at the 145- MHz Band. **Figure 3** shows SWR of the antenna at the 145- MHz Band. **Figure 4** shows DD of the antenna at the 145- MHz Band. **Figure 5** shows Z of the antenna at the 430- MHz Band. **Figure 6** shows SWR of the antenna at the 430- MHz Band. **Figure 7** shows DD of the antenna at the 430- MHz Band.

73! De RW4HFN

MMANA file for the antenna may be download at: [http://www.antentop.org/024/RW4HFN\\_Simple\\_024.htm](http://www.antentop.org/024/RW4HFN_Simple_024.htm)



**Figure 1**  
Design of the Simple Antenna for 145/430- MHz

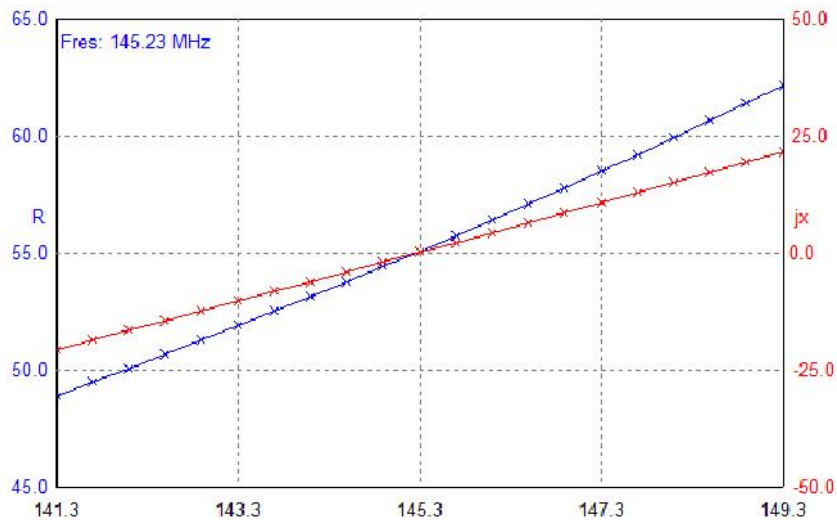


Figure 2 Z of the Simple Antenna for 145/430- MHz at the 145- MHz Band

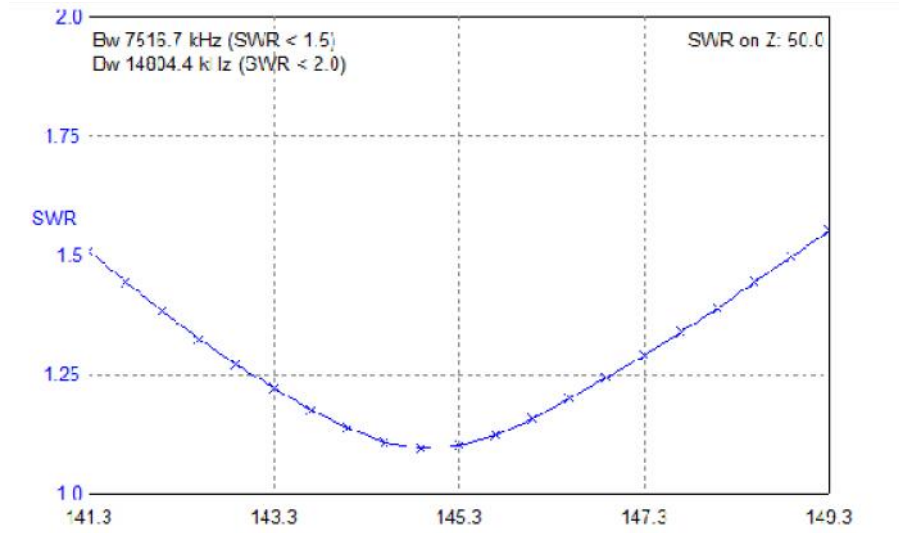


Figure 3 SWR of the Simple Antenna for 145/430- MHz at the 145- MHz Band

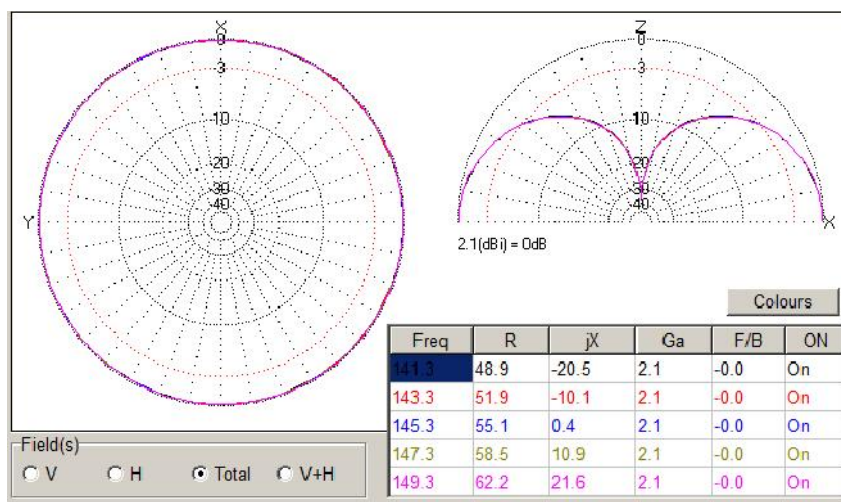


Figure 4 DD of the Simple Antenna for 145/430- MHz at the 145- MHz Band

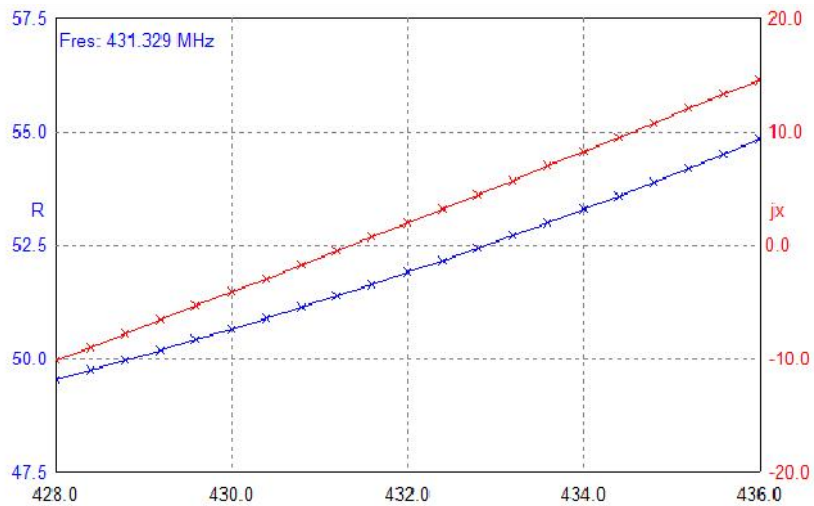


Figure 5 Z of the Simple Antenna for 145/430- MHz at the 430- MHz Band

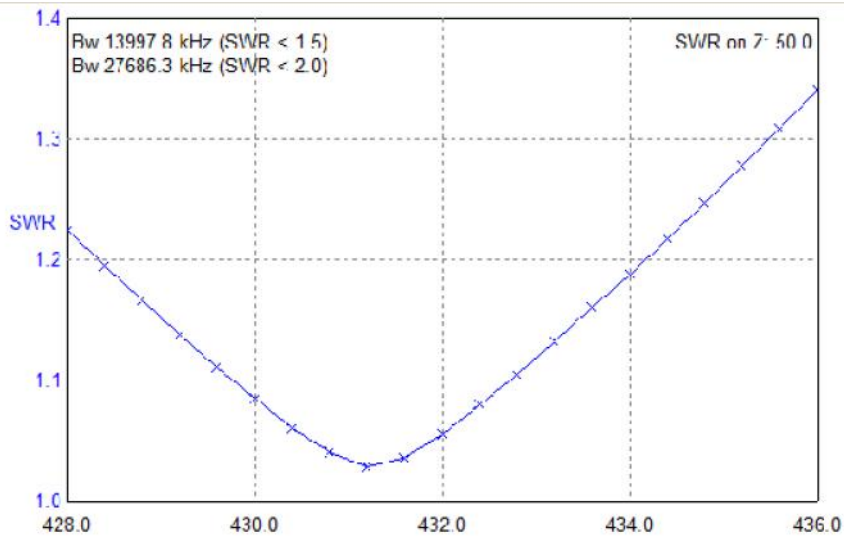


Figure 6 SWR of the Simple Antenna for 145/430- MHz at the 430- MHz Band

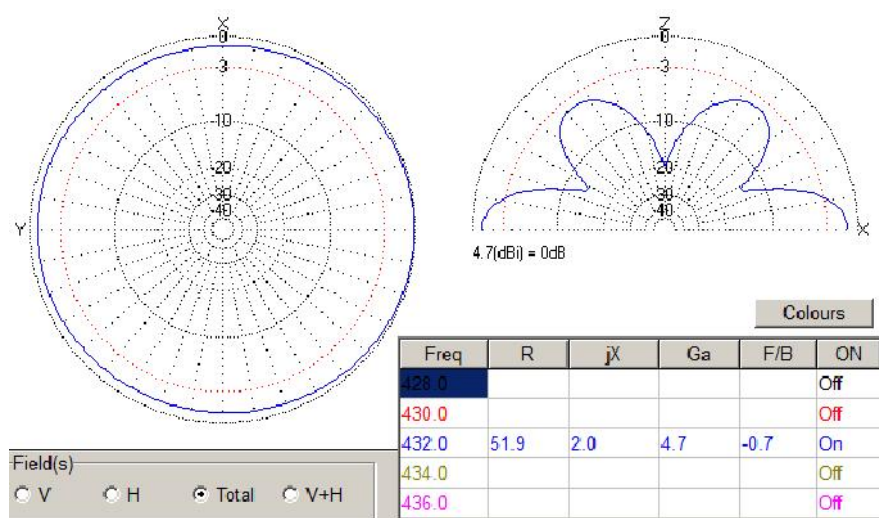


Figure 7 DD of the Simple Antenna for 145/430- MHz at the 430- MHz Band