

Two Simple Two Elements Antennas for 80 and 40 meter Band

Credit Line: RADIO REF, 1971, # 8-9

The two directional antennas were installed at the top of already existing mast for YAGI for 10 and 15 meter Band. The directional antennas were intended to use at the contest. **Figure 1** shows design of the two antennas.

At the top of the mast there were installed two fiberglass rods. The rods were the traverse for the directional antennas. For the 80 meter band it was used two I.V. antennas. For the 40 meter band it was used two Delta Loop antennas.

For feeding of the antennas it was used 50- Ohm coaxial cable.

Antenna for the 80 meter band it was tuned in to resonance by changing length of the I.V. antennas. Antenna for the 40 meter band it was tuned to the resonance by changing the length of the loop antennas. SWR of the 80 meter antenna was 1.5:1.0. SWR of the 40 meter antenna was 1.2:1.0.

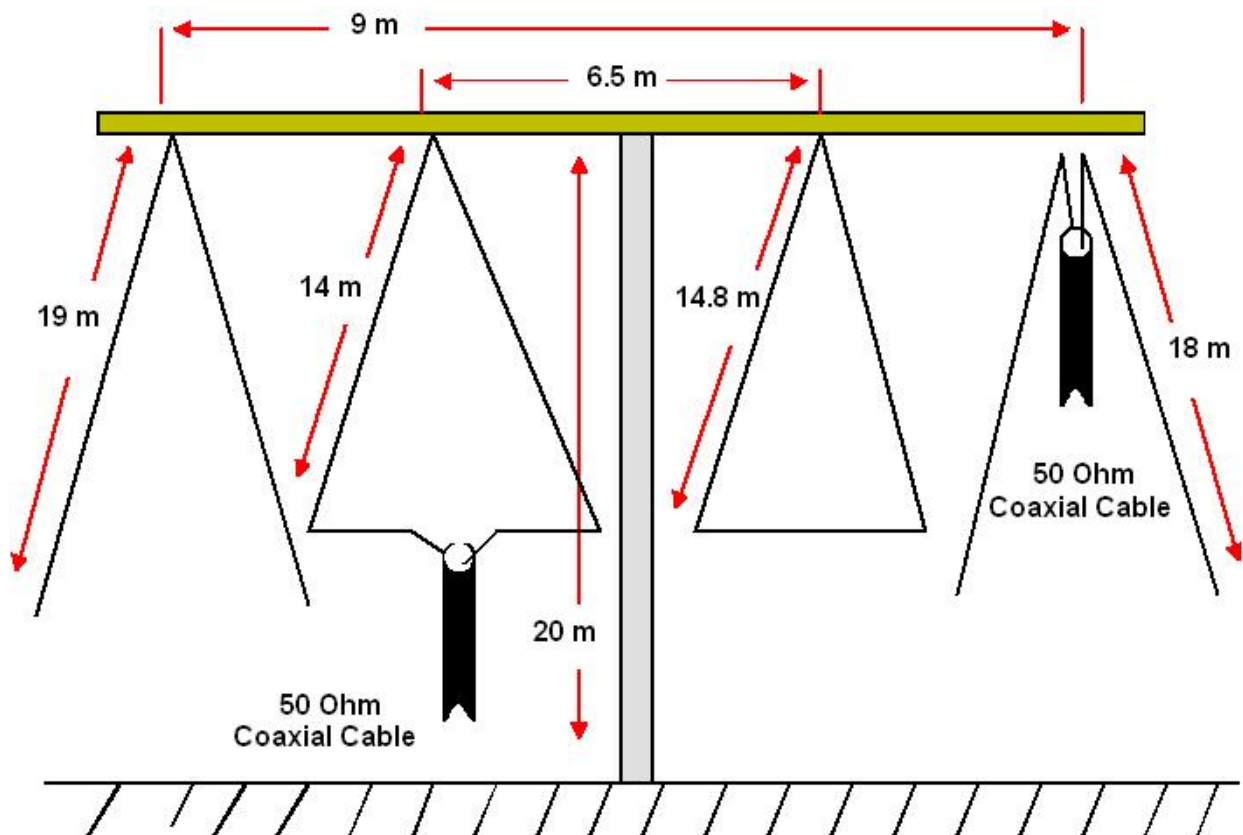


Figure 1 Two Directional Antennas for 80 and 40- meter Band