

# Simple I.V. Antenna for 80-, 40-, 20-, 15- and 10- meter Band

**Credit Line:** RADIO # 12, 1972. P.: 33

**By:** Vladimir Fursenko, UA6CA

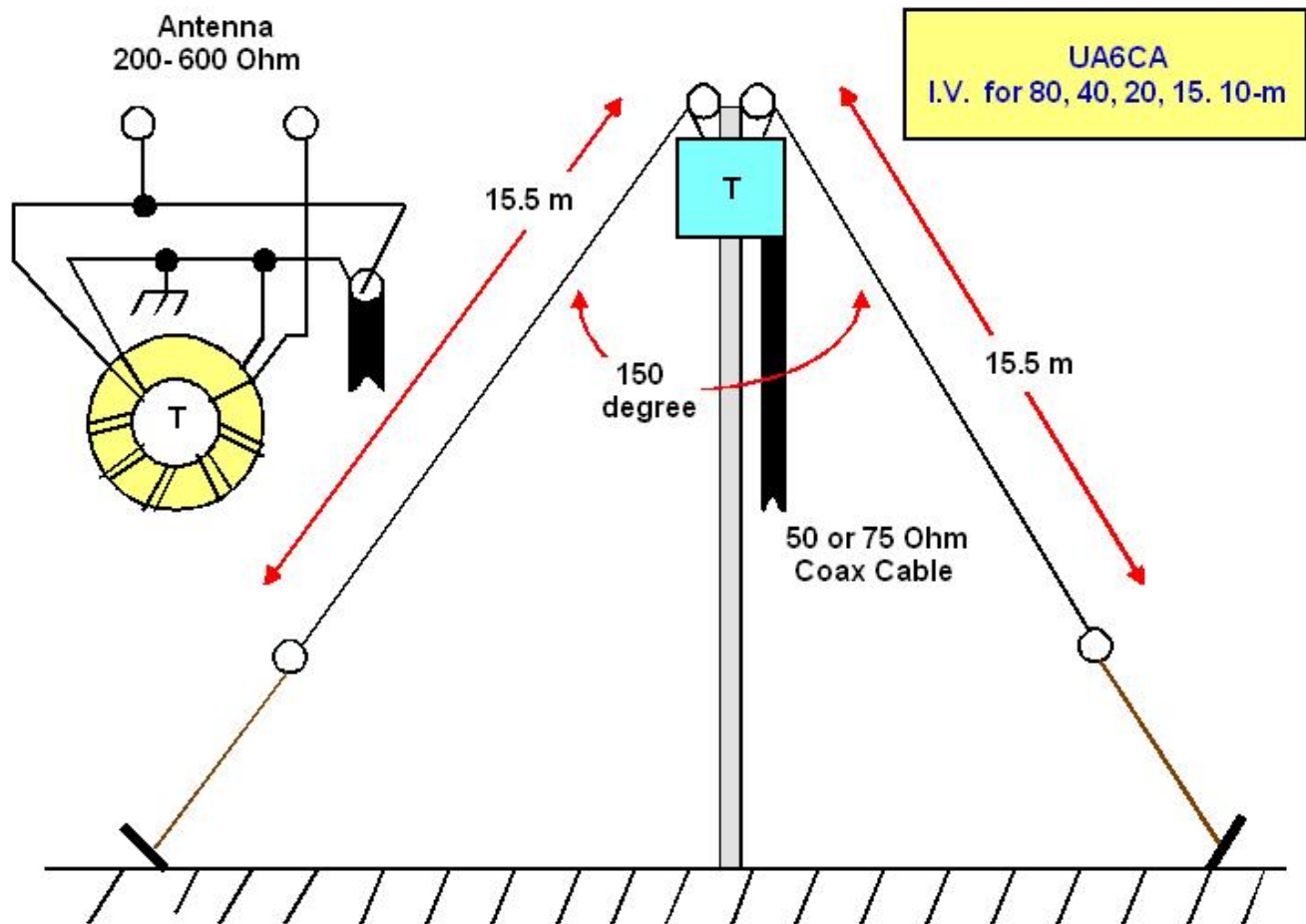
It is very simple I. V. antenna that works at 80-, 40-, 20- 15- and 10- meter band. **Figure 1** shows design of the antenna. The antenna is fed through transformer T. The transformer wound on a ferrite ring with permeability of 50. Diameter of the ring depends on the power going in to the antenna. The transformer has 9 turns, wound by pair of insulated wire in 0.8- mm (20-AWG) diameter.

Antenna has SWR no more the 2.0:1.00 at all working bands. Lots amateur in the ex- USSR made the antenna and obtain good result.

**RA1SA** published article to modification of the UA6CA antenna in RADIO-DIZAIN magazine, # 21, pp.:83- 84. He suggested lengthening the antenna wires from 15.5 meter to 17.5 meter. In this case the antenna works at 80-, 40-, 30-, 20-, 17-, 15- and 12- meter band. Antenna has SWR no more the 1.5:1.00 at all the bands.

Antenna may be made from any wire in 1- 3 mm diameter. Antenna may be fed by 50 or 75- Ohm coaxial cable.

**73! de UA6CA**



**Figure 1** Simple I. V. Antenna for 80-, 40-, 20- 15- and 10- meter Band